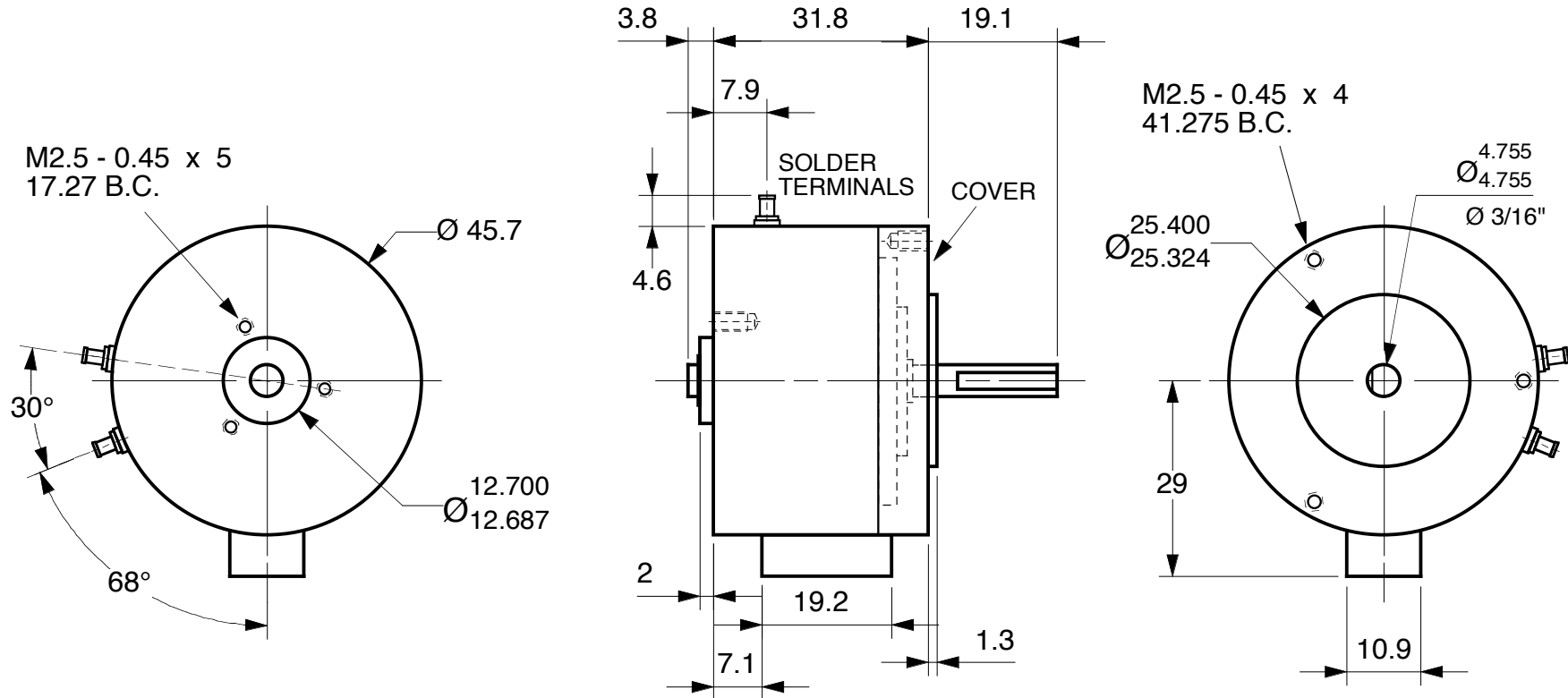
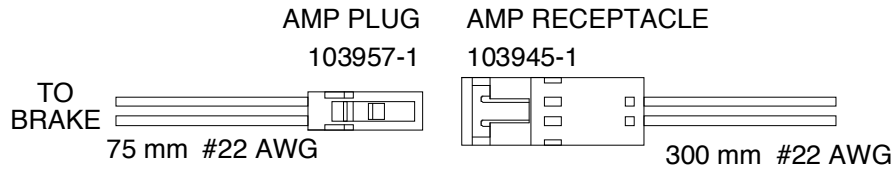


# HYSTERESIS BRAKE H11 - 3M



H11-1M, Shaft out 1 side, opposite from cover.  
H11-2M, Shaft out 2 sides  
H11-3M, Shaft out 1 side, (as shown)

Units : mm  
Scale : full

Drawn 9/27/01  
Changed 6/18/04

Lake Placid, NY USA  
Telephone 518 523-2422  
www.placidindustries.com

